



REV  
0.0

STANDARD COMPACT GROUPS

# SMART200

## SALES SHEET



### SUPPLY

- CRUSHER TRA200
- CENTRIFUGE FC200
- SCRAPING CONVEYOR
- COOLANT TANK
- ELECTRIC PANEL
- STANDARD COLOUR RAL 7016
- PALLETIZED BASEPLATE

### ACCESSORIES / OPTIONAL

- PIECES SEPARATION SIEVE
- DIFFERENT COLOURING

### DESCRIZIONE

**SMART200 is a compact system for shredding and centrifuging metal swarfs to be installed directly under the machine.**

It is composed by the combination of a shredder mod. TRA200 and a centrifuge mod. FC200.

The swarf, long or in small skeins, soaked in oil, is processed by the shredder and loaded into the centrifuge by means of a paddle conveyor.

The dry chips are ejected from the discharge outlet of the centrifuge and can be unloaded onto tipping bins or conveyed to the storage site via a transport system.

The oil recovered from centrifugation is stored inside a collection tank.

The entire unit is mounted on a palletized platform to ensure a more easily handling. The SMART200 compact group is delivered complete with electrical control panel and wiring and is therefore ready for use.



PLUG & PLAY



COMPACT

4.0

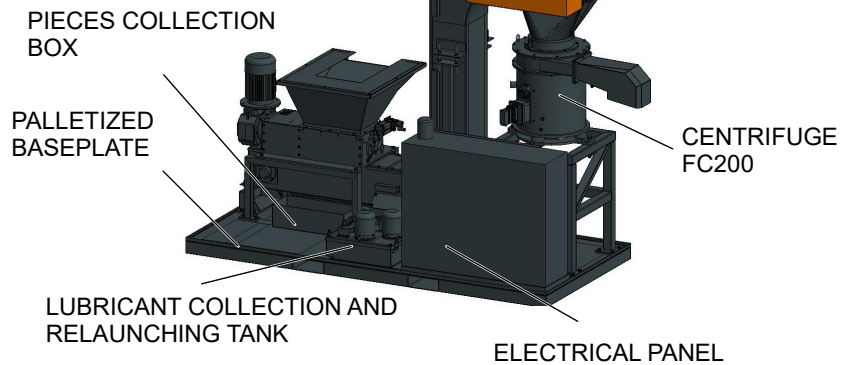
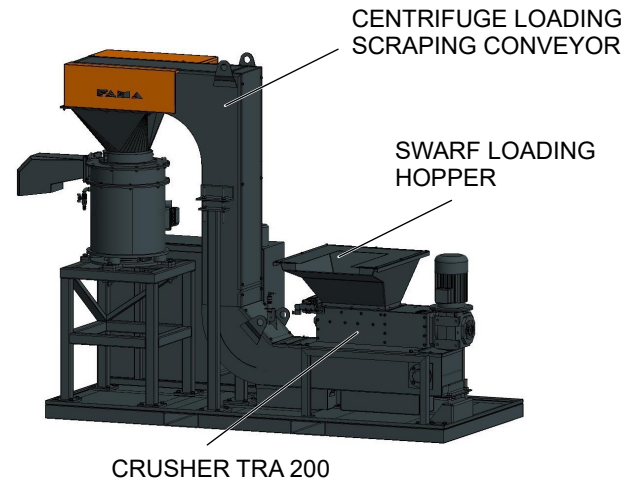
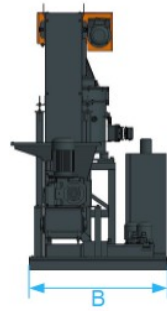
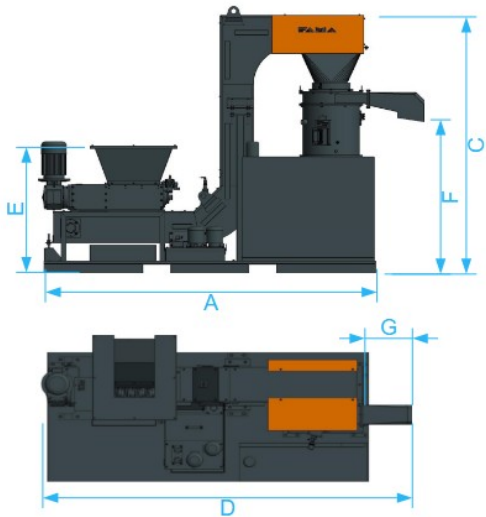
INDUSTRY 4.0  
READY



EASY  
MAINTENANCE



CONFIGURABLE



## DIMENSIONS

A - GROUND LONG SIDE SPACE	2500 mm
B - GROUND SHORT SIDE SPACE	1200 mm
C - MAXIMUM HEIGHT SPACE	2100 mm
D - MAXIMUM LENGTH SPACE	2950 mm
E - CRUSHER LOADING HEIGHT	1050 mm
F - CENTRIFUGE UNLOADING HEIGHT	700 - 1200 mm
G - CENTRIFUGE UNLOADING SPACE	400 mm

## TECHNICAL DATA

TOTAL WEIGHT	1000 kg
TOTAL POWER	5 kW
ELECTRICAL POWER SUPPLY	400V 12A
SWARF HOURLY FLOW RATE	30 ÷ 200 kg/h
HOPPER LOADING VOLUME	50 lt

## HOURLY PRODUCTION

Q = 150 l/h	BRASS	STEEL	ALUMINIUM	STAINLESS STEEL	COPPER	CAST IRON
Δ DENSITY [kg/dmc]	1,3	1,2	0,4	1,0	0,8	1,3
Kg/h	200	180	60	150	120	200

THE DATA IN kg/h IS APPROXIMATE AND IN ANY CASE DEPENDS ON THE DENSITY OF THE SWARF, THE SHAPE, THE TYPE AND THE THICKNESS. THE DENSITY VALUES CONSIDERED ARE HYPOTHETICAL, BASED ON AN EXPERIMENTAL AVERAGE OF THE DATA IN OUR POSSESSION. PRIOR TESTS CAN BE PERFORMED.

FAMA s.r.l. reserves the right to make changes to the product without notice.