



REV
0.3

COLIBRÌ

COMMERCIAL SHEET



STANDARD COMPACT GROUPS

SUPPLY

SCRAPING CONVEYOR

CENTRIFUGE FC200

COOLANT TANK

ELECTRIC PANEL

SELF CLEANING DREDGING TANK



ACCESSORIES/OPTIONAL

FORKLIFT BUMPER

PARTS SEPARATION SCREEN

DESCRIPTION

The **COLIBRÌ** compact group is a treatment unit for short swarf contained in small bins that are discharged into the group through two side pockets.

The short swarf, soaked in coolant, is loaded into the centrifuge by means of a scraping conveyor. The coolant recovered from the centrifuge is stored in the integrated collection tank.

If the swarf contains parts, it is possible to equip the **COLIBRÌ** with a vibrating screen to protect the centrifuge.

COLIBRÌ is mounted on a palletised platform so that it can be easily moved and is delivered already wired complete with electrical control panel, ready for use.

The new feature, compared to the previous version of the **Colibrì**, is the self-cleaning dredging tank, which avoids the operator having to periodically clean the sludge residues from the bottom of the coolant collection tank



PLUG & PLAY



COMPATTO

4.0

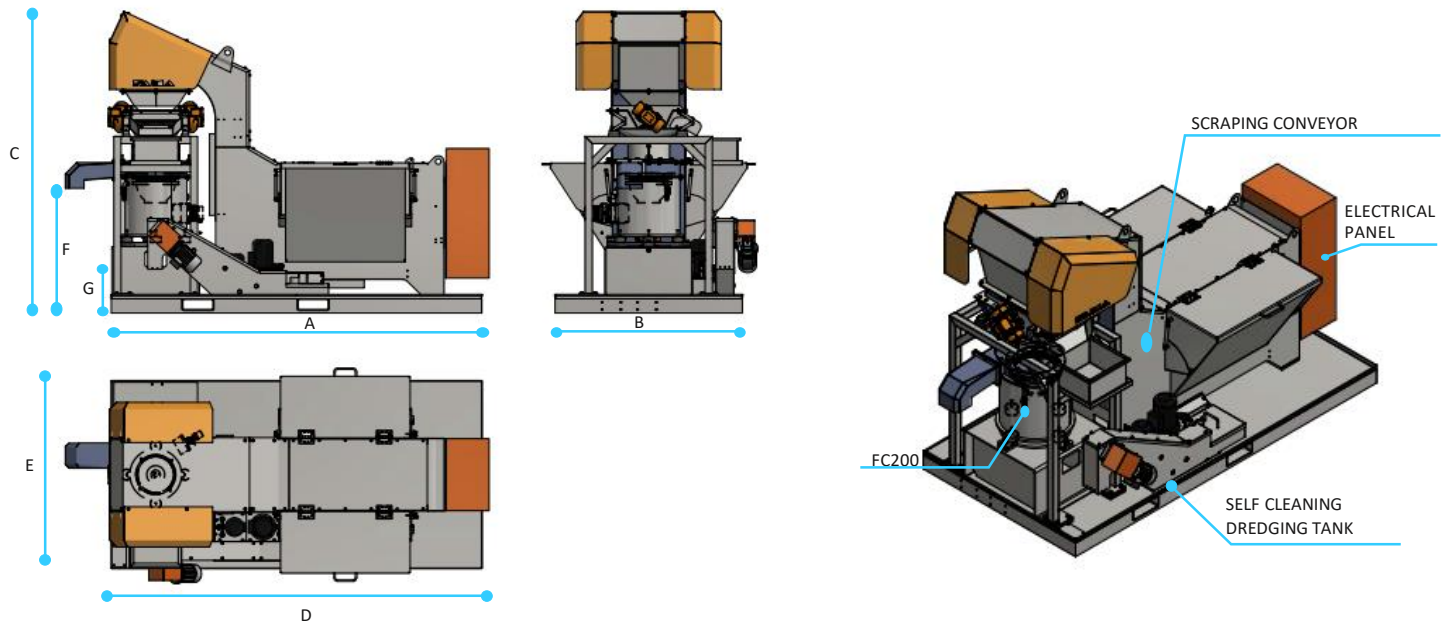
INDUSTRY 4.0
READY



FACILE
MANUTENZIONE



CONFIGURABILE



DIMENSIONS

A - GROUND LONG SIDE SPACE	2300 mm
B - GROUND SHORT SIDE SPACE	1350 mm
C - MAXIMUM HEIGHT SPACE	2100 mm
D - MAXIMUM LENGTH SPACE	2700 mm
E - MAXIMUM WIDTH SPACE	1450 mm
F - CENTRIFUGE UNLOADING HEIGHT	700 ÷ 1100 mm
G - DREDGING TANK UNLOADING HEIGHT	300 mm

TECHNICAL DATA

TOTAL WEIGHT	900 kg
TOTAL POWER	3.0 Kw
ELECTRICAL POWER SUPPLY	400V 22A
SWARF HOURLY CAPACITY	50 ÷ 200 kg/h
HOPPER LOADING VOLUME	300 l

HOURLY PRODUCTION

Q = 0.20 m ² /h	BRASS	STEEL	ALUMINIUM	STAINLESS STEEL	COPPER
Δ DENSITY [kg/dm ³]	0.45 ÷ 1	0.50 ÷ 1	0.15 ÷ 0.30	0.40 ÷ 1	0.25 ÷ 1
Kg/h	90 ÷ 200	100 ÷ 200	30 ÷ 60	240 ÷ 200	50 ÷ 200

THE DATA IN kg/h IS APPROXIMATE AND IN ANY CASE DEPENDS ON THE DENSITY OF THE SWARF, THE SHAPE, THE TYPE AND THE THICKNESS. THE DENSITY VALUES CONSIDERED ARE HYPOTHETICAL, BASED ON AN EXPERIMENTAL AVERAGE OF THE DATA IN OUR POSSESSION. PRIOR TESTS CAN BE PERFORMED.

FAMA s.r.l. reserves the right to make changes to the product without notice